

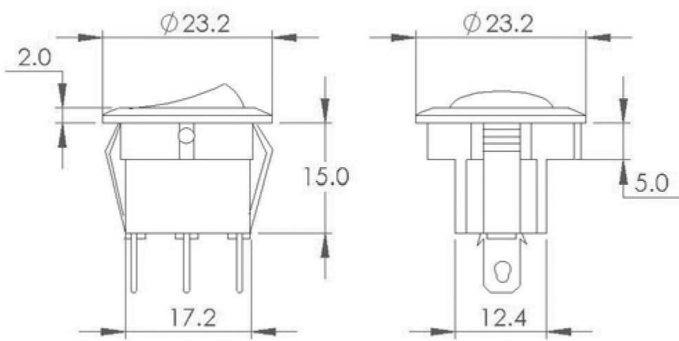
KR1-5 Series Rocker Switch

Specifications

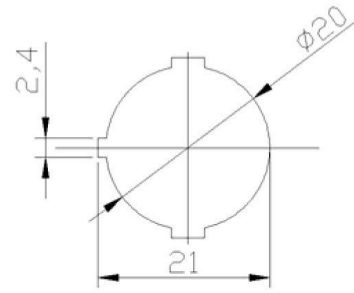
- Certifications: TUV CE
- Dielectric Strength: 1,500V (minimum)
- Insulation Resistance: 100Megohms(minimum)
- Base Material: Nylon66
- Actuator Material: Nylon66 or PC
- Terminal Material: H62Cu



DIMENSIONS



PANEL OPENING



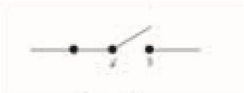
CIRCUIT DIAGRAM

-101



ON-OFF SPST 2P

-102



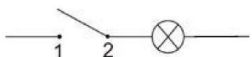
ON-ON SPDT 3P

-103



ON-OFF-ON SPDT 3P

-101D



ON-OFF SPDT 3P

Rating

TUV/CE	10A/250Vac, 16A/250VAC
	16A/12VDC

Electrical Life

10,000 cycles

Mechanical Life

50,000 cycles

Operating Temperature

T85

Termination

Standard is solderless .188" (4.8mm)
Wide x 0.032" (0.81mm) thick.

Certifications

IEC 61058