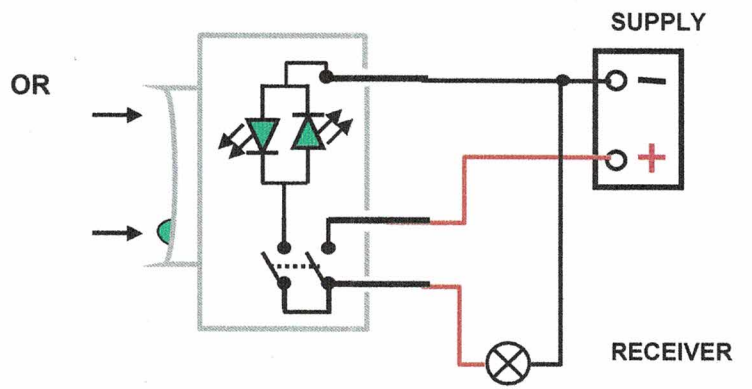
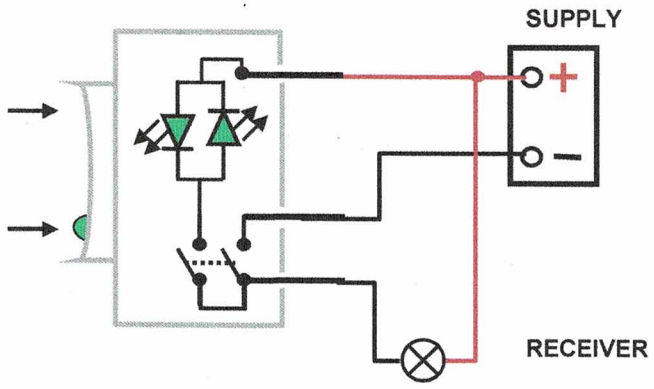


WIRING DIAGRAM



SWITCH DIAGRAM

