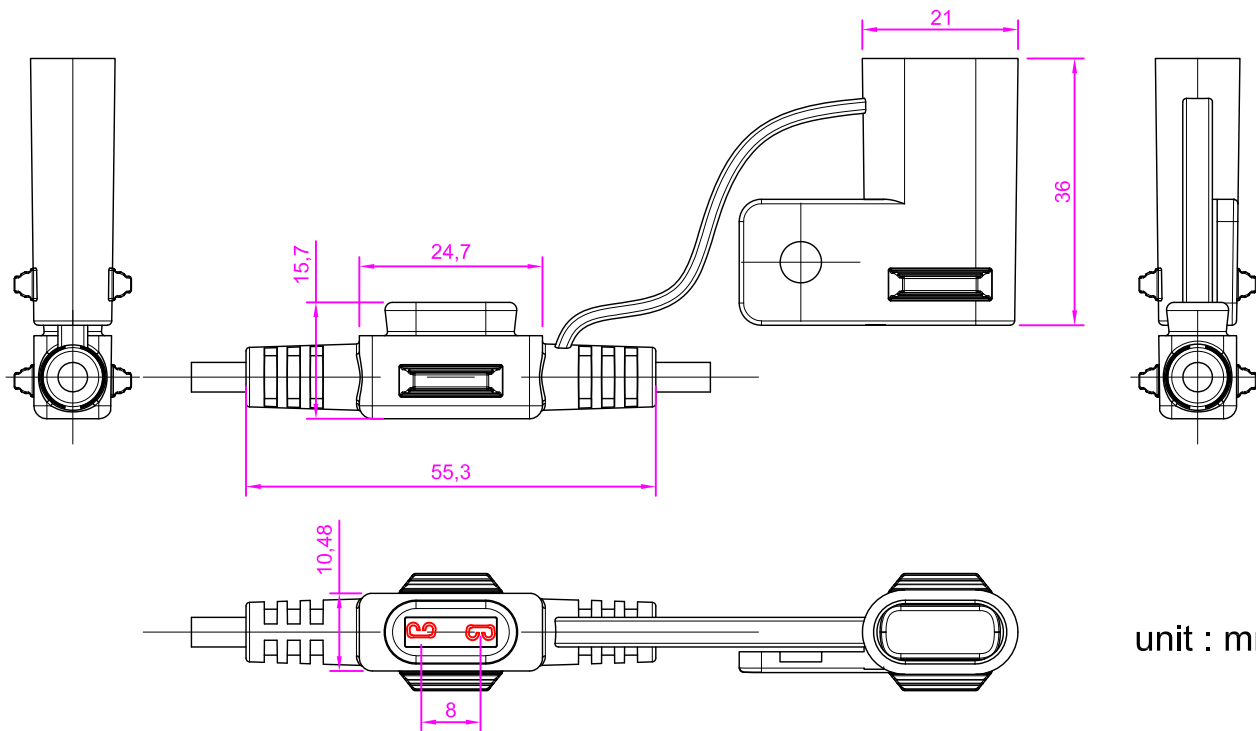
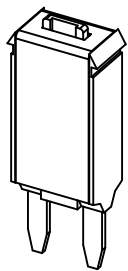


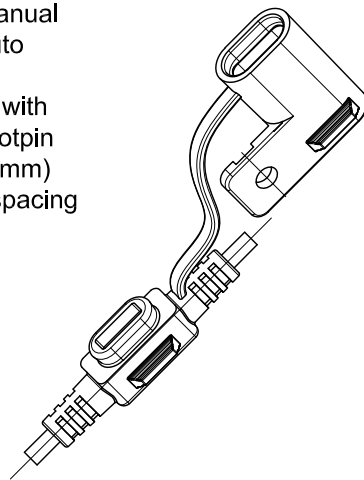
5	6	7	8
REV	DESCRIPTION	REVISED BY	DATE



Related Products, Mini CB



E73: T3, manual
 E71: T1, auto
 rate: 5-30A
 compatible with
 280 type footpin
 0.32in. (8.1mm)
 centerline spacing




Material : black / clear PVC, max.105C
 Contacts : C194 copper alloy, tin plated.
 Wire : red - #12 AWG standard copper.
 UL-105C 600V rated.

Crimp : Meet SAE/USCAR 21 standard
 Rating : Max. 30A 32Vdc
 IP67

Circuit breaker : mini - blade circuit breaker
 E73 (T3,manual reset) / E71 (T1,auto reset)

HDE72B, black PVC, HDE72C, clear PVC

VIEW DIRECTION	TITLE: mini in line - CB holder		UNITE: mm (Inch)	MODEL No.: HD																														
QUANTITY	 GLOSOTECH YOUR POWER, PROTECTED		DRAWN BY:	DATE:																														
			PXP	01/04/20'	PART No.: HDE72																													
NOTES: a) UNLESS OTHERWISE SPECIFIED UNIT IS mm b) UNLESS OTHERWISE SPECIFIED RADIUS IS _____ c) UNLESS OTHERWISE SPECIFIED DRAFT ANGLE IS _____ d) UNLESS OTHERWISE SPECIFIED TOLERANCE MUST BE SUBMITTED TO _____ GRADE (SEE ATTACHEMENT) e) UNLESS OTHERWISE SPECIFIED ANGLE TOLERANCE IS ±0.5°	<table border="1"> <thead> <tr> <th rowspan="2">DIMENSION SECTION TOLERANCE GRADE</th> <th colspan="4">SECTION</th> </tr> <tr> <th>0-30</th> <th>>30-120</th> <th>>120-400</th> <th>>400-1000</th> </tr> </thead> <tbody> <tr> <td>A</td> <td>±0.1</td> <td>±0.15</td> <td>±0.2</td> <td>±0.3</td> </tr> <tr> <td>B</td> <td>±0.15</td> <td>±0.2</td> <td>±0.3</td> <td>±0.5</td> </tr> <tr> <td>C ✓</td> <td>±0.2</td> <td>±0.3</td> <td>±0.5</td> <td>±0.8</td> </tr> <tr> <td>C</td> <td>±0.3</td> <td>±0.5</td> <td>±0.8</td> <td>±1.2</td> </tr> </tbody> </table>		DIMENSION SECTION TOLERANCE GRADE	SECTION				0-30	>30-120	>120-400	>400-1000	A	±0.1	±0.15	±0.2	±0.3	B	±0.15	±0.2	±0.3	±0.5	C ✓	±0.2	±0.3	±0.5	±0.8	C	±0.3	±0.5	±0.8	±1.2	CHECKED BY:	DATE:	MATERIAL:
	DIMENSION SECTION TOLERANCE GRADE	SECTION																																
		0-30	>30-120	>120-400	>400-1000																													
	A	±0.1	±0.15	±0.2	±0.3																													
B	±0.15	±0.2	±0.3	±0.5																														
C ✓	±0.2	±0.3	±0.5	±0.8																														
C	±0.3	±0.5	±0.8	±1.2																														
		Cimi	01/04/18'	FINISHED:																														
		APPROVED BY:	DATE:	SHEET OF	ISSUE																													
		CXJ	01/04/18'	SCALE: FIT	A/0																													