

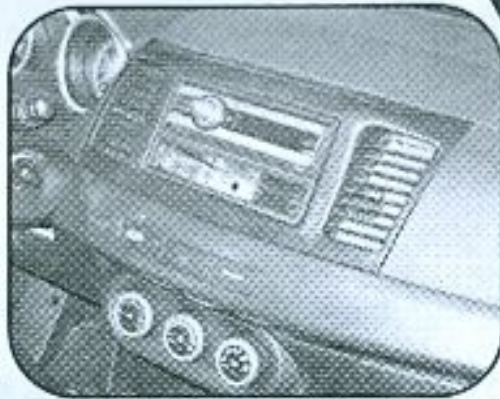
APPLICATIONS

MITSUBISHI Lancer 2008

63145

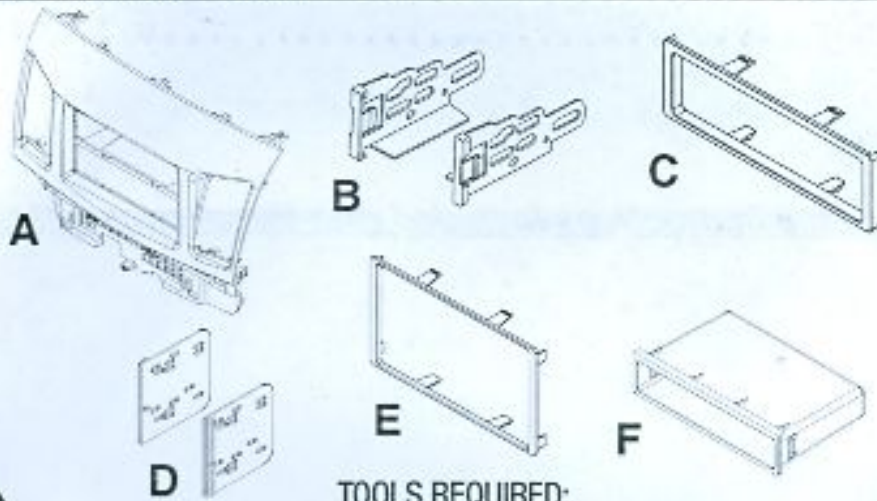
KIT FEATURES

- DIN Radio Provision with Pocket
- ISO Mount Radio Provision with Pocket
- Double DIN Radio Provision
- Stacked ISO Mount Units Provision



KIT COMPONENTS

- A) Radio Housing
- B) ISO Brackets
- C) Trim Plate
- D) Double DIN Brackets
- E) Double DIN Trim Plate
- F) Snap in Pocket



TOOLS REQUIRED:

- Phillips Screwdriver/ Panel Removal Tool
- Cutting Tool

